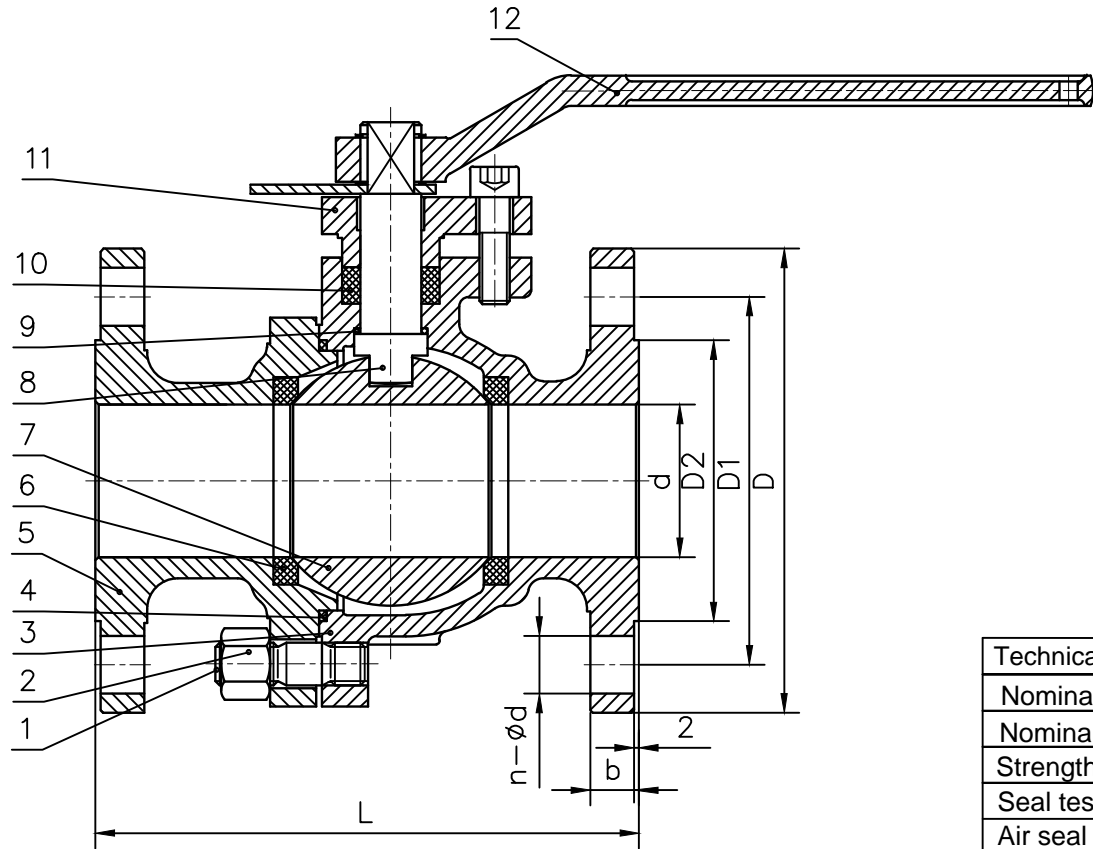


150LB RF

NPS	L	d	D	D1	D2	b	n-Ød
1 1/2"	165	40	125	98.4	73	12.7	4-Ø16



Technical Specification	
1	Design & manufacture according to API 608
2	Face to face according to ASME B16.10
3	Flange end dimension according to ASME B16.5
4	Inspection & test according to API598

12	HANDLE	ASTM SS410
11	FLANGE	B148 C95800
10	PACKING	PTFE
9	GASKET	PTFE
8	STEM	B148 C95800
7	BALL	B148 C95800

Technical Specification					
Nominal diameter	1 1/2"	5	BONNET	B148 C95800	
Nominal pressure	150LB	4	GASKET	RPTFE	
Strength test pressure	3.0	MPa	3	BODY	B148 C95800
Seal test pressure	2.2		2	NUT	ASTM A194 8M
Air seal pressure	0.6	1	BOLT	ASTM A193 B8M	
Max.temperature	≤ 150°C	No.	PART NAME		MATERIAL
Medium	Water.air.steam.gas etc				

				2-PC FLANGE BALL VALVE		J-VALVES	
						Construction	
				Page 1		150LB RF	